

vtech®

Instruction Manual

KARAOKE LIGHT PARTY



VTech understands that a child's needs and abilities change as they grow and with that in mind we develop our toys to teach and entertain at just the right level...

vtech Baby

Toys that will stimulate their interest in different textures, sounds and colours

I am...

...responding to colours, sounds and textures

...understanding cause and effect

...learning to touch, reach, grasp, sit-up, crawl and toddle

Birth-36 months



Pre-School

Interactive toys to develop their imagination and encourage language development

I want...

...to get ready for school by starting to learn the alphabet and counting

...my learning to be as fun, easy and exciting as can be

...to show my creativity with drawing and music so my whole brain develops

3-6 years



Electronic Learning Computers

Cool, aspirational and inspiring computers for curriculum related learning

I need...

...challenging activities that can keep pace with my growing mind

...intelligent technology that adapts to my level of learning

...National Curriculum based content to support what I'm learning at school

4-10 years



To learn more about this and other VTech® products, visit www.vtech.co.uk

INTRODUCTION

Thank you for purchasing the **VTech® Karaoke Light Party**. This portable **Bluetooth®** Karaoke machine includes two wireless **Microphones**. Get ready to sing all of your best-loved songs! Create your very own pixel light artwork using the colour creator dial and watch them dance along to the music. Make every karaoke party a **Karaoke Light Party!**



1	Reverb Buttons	9	Light Art Mode Button
2	Music Mode Button	10	Colour Dial
3	Sing Mode Button	11	Pixel Light Control Button
4	Vocal Remover Button	12	Power Button
5	Previous/Left Button	13	Main Unit Volume Buttons
6	Play/Pause/OK Button	14	2-Player Game Mode Button
7	Next/Right Button	15	Bluetooth® Mode Button with LED
8	1-Player Game Mode Button	16	Pixel Buttons

Microphone Stand



Carry Handle

This stand is to place the external device (not included)

AC Adaptor Port

Power Button

Volume Buttons

Singing Effect Buttons

Fun Effect Button



Microphone 1

Power Button

Volume Buttons



Microphone 2

INCLUDED IN THE PACKAGE

- One **VTech® Karaoke Light Party**
- Two wireless **Microphones**
- 4 x AA batteries (for wireless **Microphones**)
- Quick Start Guide

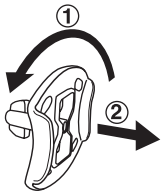
WARNING:

All packing materials such as tape, plastic sheets, packaging locks, removable tags, cable ties, cords and packaging screws are not part of this product and should be discarded for your child's safety.

NOTE:

Please save this Instruction Manual as it contains important information.

Unlock the Packaging Locks:



① Rotate the packaging locks 90 degrees anticlockwise.

② Pull out the packaging locks.

GETTING STARTED

How to Exit Try-Me Mode

This product is in **Try-Me Mode** in the packaging.

1. Install the batteries on the **Main Unit** and the **Microphones**.
2. Press the **Power Buttons** of the **Main Unit** and the **Microphones** to connect both together. When connected successfully, the **Microphones** light will stay on, and the **Main Unit** will show a tick to indicate **Try-Me Mode** has been disabled.

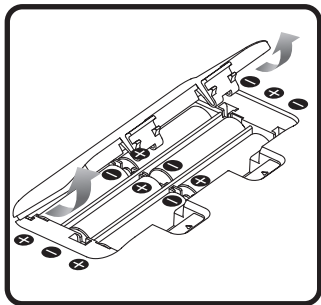
WARNING:

Adult assembly required for battery installation.
Keep batteries out of reach of children.

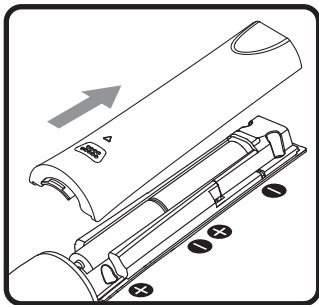
BATTERY REMOVAL AND INSTALLATION

1. Make sure the unit is turned **OFF**, and **AC Adaptor** is unplugged.
2. Locate the battery covers at the bottom of **Main Unit** and on the back of the **Microphones**.
3. If used batteries are present, remove them by pulling up on one end of each battery.
4. First, Install 6 new 1.5V AA (LR6) batteries following the diagram inside the battery box in the **Main Unit**. Then, install 2 new 1.5V AA (LR6) batteries following the diagram inside the battery box for each **Microphone**. (The use of new alkaline batteries is recommended for maximum performance.)
5. Replace the battery cover.

**On the
Main Unit**



**On the Wireless
Microphones**



IMPORTANT: BATTERY INFORMATION

- Insert batteries with the correct polarity (+ and -).
- Do not mix old and new batteries.
- Do not mix alkaline, standard (carbon-zinc) or rechargeable batteries.
- Only batteries of the same or equivalent type as recommended are to be used.
- Do not short-circuit the supply terminals.
- Remove batteries during long periods of non-use.
- Remove exhausted batteries from the product.
- Dispose of batteries safely. Do not dispose of batteries in fire.

RECHARGEABLE BATTERIES:

- Rechargeable batteries are only to be charged under adult supervision.
- Do not charge non-rechargeable batteries.

Disposal of batteries and product




The crossed-out wheellie bin symbols on products and batteries, or on their respective packaging, indicates they must not be disposed of in domestic waste as they contain substances that can be damaging to the environment and human health.

The chemical symbols Hg, Cd or Pb, where marked, indicate that the battery contains more than the specified value of mercury (Hg), cadmium (Cd) or lead (Pb) set out in the Batteries and Accumulators Regulation.



The solid bar indicates that the product was placed on the market after 13th August, 2005.

 Please dispose of your product and batteries responsibly.

In the UK, give this product a second life by disposing of it at a small electricals collection point* so all of its materials can be recycled.

Learn more at:

www.vtech.co.uk/recycle

www.vtech.com.au/sustainability

* Visit www.recyclenow.com to see a list of collection points near you.

POWER ADAPTOR CONNECTION

- Make sure your **Karaoke Light Party** is turned off and the batteries are removed.
- Locate the **AC Adaptor Port** on the back of the **Main Unit**.
- Connect an **AC Adaptor** (not included) to the **AC Adaptor Port**.
- Plug the adaptor into a power socket.
- Press the **Power Button** to turn the system on.

Note: When the unit is not going to be used for an extended period of time, unplug the adaptor.

Safety information:

We recommend using a power supply (AC/DC adaptor) of the below specification: Power rating: 12V/2A DC output with 5.5mm/2.1mm plug (positive centre).

- Never clean a plugged in product with liquid.
- Please examine the power supply periodically for conditions that may result in the risk of fire, electric shock, or injury to persons (such as damage to the supply cord, output cord, plug, blades, housing, or other parts) and that, in the event of such conditions, the power supply should be scrapped.

PRODUCT FEATURES

On the Main Unit

1. Power Button

Press the **Power Button** to turn the unit **ON**. Press it again to turn the unit **OFF**.



2. Volume +/- Buttons

Press the **+ Button** to increase the volume of **Main Unit** and the **- Button** to decrease it.



3. Pixel Light Control Button

Press **Pixel Light Control Button** to adjust the brightness of the **Pixel Buttons**.



4. Reverb +/- Buttons

Press the **+ or - Button** to increase or decrease the **Microphone** reverb effect.



5. Sing Mode Button



Press the **Sing Mode Button** to sing along with the built-in songs.

- Song 1 "*The Warm Up Song*" and Song 2 "*Flashing Harmony*" have light patterns to guide you in singing different notes.
- For Song 3 "*Star of the Show*", Song 4 "*Breaking Free*" and Song 5 "*Dream to Believe*", you can press any **Pixel Buttons** to choose a preset light pattern or turn the **Colour Dial** to select your own pixel light artwork created in **Light Art Mode**.

Use the **Previous** or **Next Buttons** to select a song, and press the **Play/Pause Button** to pause or resume the song.



6. Music Mode Button



Press the **Music Mode Button** to listen to the built-in music. Press any **Pixel Button** to choose a preset light pattern, or turn the **Colour Dial** to select your own pixel light artwork created in **Light Art Mode**.

Use the **Previous** or **Next Buttons** to choose a melody, and press the **Play/Pause Button** to pause or resume the melody.



7. Light Art Mode Button

Press the **Light Art Mode Button** to create your own pixel light arts.

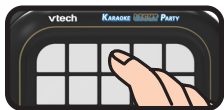
7.1 First, use the **Left and Right Buttons** to select a slot for your drawing.

7.2 Next, turn the **Colour Dial** to choose a colour you want.

7.3 Then, press the **Pixel Buttons** to create your design.

7.4 And your design is saved automatically while you're working on it.

Note: You can save up to 10 creations.



8. 1-Player Game Mode Button

Press the **1-Player Game Mode Button** to enter this mode. Use the **Left and Right Buttons** to scroll through and choose from 4 games. Press the **OK Button** to confirm your selection.



9. 2-Player Game Mode Button

Press the **2-Player Game Mode Button** to enter this mode. Use the **Left and Right Buttons** to scroll through and choose from 4 games. Press the **OK Button** to confirm your selection.






10. **Bluetooth® Mode Button**

Press the **Bluetooth® Mode Button** to connect to a nearby device via **Bluetooth®** connection. When the **Main Unit** is pairing, the **Bluetooth® Mode Button** light will flash. When the **Main Unit** is successfully connected with a device, the **Bluetooth®** light will remain **ON**. After connected with the device, press any **Pixel Button** to choose a preset light pattern, or turn the **Colour Dial** to select your own pixel light artwork created in **Light Art Mode**.



Bluetooth® Connection

- 10.1 Press the **Bluetooth® Mode Button**  then the **Bluetooth® Mode Button** light will flash.
- 10.2 Enter the **Bluetooth®** interface of your device and search for **Bluetooth®** devices.
- 10.3 Select “VTech 5817 Karaoke” when you see it displayed on your device.
- 10.4 A 6-digit PIN number will display on the **Pixel Buttons of Karaoke Light Party**.
- 10.5 Enter the PIN number on your device.
- 10.6 When connected successfully, the **Pixel Buttons** will show a  sign.
- 10.7 While in **Bluetooth®** mode, the **Bluetooth® Mode Button** light will remain **ON**.
- 10.8 To exit **Bluetooth®** mode, press the **Bluetooth® Mode Button**  again.
- 10.9 The **Main Unit** will automatically search and connect to the last **Bluetooth®** device that it was connected to before. You do not need to repeat this process the next time you want to use the same device.

11. Vocal Remover Button

Press the **Vocal Remover Button** to eliminate or reduce the singer's voice in both built-in songs and those played from your device.

Note: This feature may not work with all **Bluetooth®** songs.



12. AC Adaptor Port

Connect the **Karaoke Light Party** to AC power (adaptor not included).

13. Automatic Shut Off

To preserve battery life, the **Main Unit** will automatically power off after several minutes without input. The **Main Unit** can be turned on again by pressing the **Power Button**. The **Main Unit** will also automatically turn off when battery power is very low.

When the batteries are low in the **Main Unit**, the **Pixel Buttons** will flash 2 times and then shut off automatically. Please install brand new batteries and try again.



On the Wireless Microphones

1. Power Button with LED

Press the **Power Button** to turn the unit **ON**. Press it again to turn the unit **OFF**.

While connecting with the **Main Unit**, the LED will flash and if connected successfully, the LED will keep on. If a connection is not established within 1 minute, the **Microphone** will automatically turn off.

When the batteries are low in the **Microphone**, the LED will flash 3 times and then shut off automatically. Please install brand new batteries and try again.

Note: Please turn off the **Microphones** when not in use.



2. Volume Buttons

Press the **+ or - Button** to increase or decrease the volume of the **Microphone**.



3. Singing Effect Buttons

(On the Microphone 1 only)

Press one of the **Singing Effect Buttons** to enhance your singing experience. Press the same button again, or press and hold any **Singing Effect Button** for a few seconds to return to the original voice.



4. Fun Effect Button

(On the Microphone 1 only)

Press the **Fun Effect Button** to switch between voice options: female, male, robot, and original voice. You can also press and hold any **Singing Effect** or **Fun Effect Button** for several seconds to return to the original voice.



GAMES

1-Player Game Mode

Game 1: Words to Music (Microphone Game)

Say a short phrase (within 3 seconds) into the **Microphone** and the unit will turn it into a song.

Game 2: Voice Training (Microphone Game)

Follow the instructions to train your singing skills. Sing a note into the **Microphone** at the pitch that keeps the pink pixel within the requested colour area. If the pink pixel doesn't stay in the correct area, try singing a different note. Complete 7 colour questions to win the game.

Game 3: Snakes (Pixel Lights Game)

The snake moves around, and red blocks appear randomly. Press the red blocks before the green snake eats them. Keep the red blocks away from the snake for 90 seconds to win the game.

Game 4: Four-in-a-row (Pixel Lights Game)

You (blue light) and the unit (red light) take turns lighting up the **Pixel Buttons**. The goal is to get four blue pixels in a row before the unit gets four red pixels in a row. The four-in-a-row can be horizontal, vertical, or diagonal. When you light up your 5th pixel, the oldest one will turn off.

2-Player Game Mode

Game 1: Speedy Catch (Microphone Game)

Watch or listen closely as the **Main Unit** randomly displays a picture or plays a sound. When you see the same picture or hear the same sound again, be the first to make a sound into the **Microphone** and earn 1 point. The first player to reach 10 points wins.

Game 2: Remember the Sequence (Pixel Game)

One player creates a 4-step sequence by pressing the **Pixel Buttons**, and the other player repeats it. Then, take turns creating the sequence. If both players repeat the sequence correctly, start a new round by adding 1 step. The maximum number of steps is 10. If a player fails to repeat the sequence or doesn't complete it on time, they lose.

Game 3: Avoid the Trap (Pixel Game)

One of the pixels is a trap. Two players take turns pressing a **Pixel Button**. A green light indicates a safe spot. The game continues until a player presses the red pixel, which is the trap. The player who hits the trap loses and must do a silly punishment. Press the red pixel to start a new round.

Game 4: Four-in-a-row (Pixel Game)

Players take turns until one player gets four pixels of their colour in a row. Player 1 is blue, and Player 2 is red. The four-in-a-row can be horizontal, vertical, or diagonal. When you light up your 5th pixel, the oldest one will turn off.

SONG LYRICS

Song 1: *The Warm Up Song*

Let's start with a simple line, follow after me,

Do mi so do' sing it clearly,

La la la, music to my ears,

La la la, music to my ears,

La la la, music to my ears,

La la la, music to my ears,

La la la, music to my ears,

Do re mi fa so la ti do',

Do' ti la so fa mi re do

Do re mi fa so la ti do',

Do' ti la so fa mi re do,

Great job warming up, you're ready to sing.

Song 2 : Flashing Harmony

1 Player Version (played when no Microphone or one Microphone is on)

Welcome, singers! Here's what to do,

Follow the lights and sing it true.

Sing "Do-" when the light is red,

I will sing "Mi-" when yellow shows too.

Do- Mi- Let's go!

(Sing "Do" when the red light switches on to make harmony with the unit).

Great job so far, you're doing well,

Now let's add more notes to make them gel,

Sing "Fa-" when Green light is seen,

I will sing "La-" when the Blue light gleams.

Fa- La- Let's go!

(Sing "Fa" when the green light switches on to make harmony with the unit).

Remember your notes, both old and new,

Follow the lights and sing it true.

Red is for "Do-", Yellow for "Mi-",

Green is for "Fa-", Blue is for "La-" Let's go!

(Sing "Do" when the red light switches on, and sing "Fa" when the green light switches on to make harmony with the unit).

Song 2 : Flashing Harmony

2 Player Version (played when two Microphones are on)

Welcome, singers! Here's what to do,

Follow the lights and sing it true.

Singer 1, sing "Do-" when the light is red,

Singer 2, sing "Mi-" when yellow shows too.

Do- Mi- Let's go!

(Player 1 sings "Do" when the red light switches on to make harmony with player 2. Player 2 sings "Mi" when the yellow light switches on to make harmony with player 1).

Great job so far, you're doing well,

Now let's add more notes to make them gel,

Singer 1, sing "Fa-" when Green light is seen,

Singer 2, sing "La-" when the Blue light gleams.

Fa- La- Let's go!

(Player 1 sings "Fa" when the green light switches on to make harmony with player 2. Player 2 sings "La" when the blue light switches on to make harmony with player 1).

Remember your notes, both old and new,

Follow the lights and sing it true.

Red is for "Do-", Yellow for "Mi-",

Green is for "Fa-", Blue is for "La-"

Let's go!

(Player 1 sings "Do" when the red light switches on, and sings "Fa" when the green light switches on. Player 2 sings "Mi" when the yellow light switches on, and sing "La" when the blue light switches on).

SONG 3: *Star of the Show*

*On the stage, Mic in my hand,
it's me and you, and my band,
Rock to the left, shimmy to the right,
let's sing my song through the night!*

*I'm the star of the show, oh, oh-
You like my track? Let me know oh oh-
Sing it with me, lets' go, oh oh -
I wanna hear you go woah oh oh-*

*Dance and groove, jump to the beat,
here there and up the street,
sing the words loud and proud,
I want to hear them - you're my crowd!*

*I'm the star of the show, oh, oh-
You like my track? Let me know oh oh-
Sing it with me, lets' go, oh oh -
I wanna hear you go woah oh oh- woah oh oh- woah oh oh oh!*

SONG 4: *Breaking Free*

*Woke up with a vision, time to take control,
No more second-guessing, I'm ready to roll.*

*I'm breaking free, gonna be the best version of me, version of me
oooh.*

I'll stand tall and conquer all.

Just to wait and see.

Just to wait and see oooh.

*Every step I take, I'm learning to believe,
With the strength inside of me,
I know what I can achieve.*

*I'm breaking free, gonna be the best version of me, version of me
oooh.*

I'll stand tall and conquer all.

Just to wait and see.

Just to wait and see oooh.

*I'm breaking free, gonna be the best version of me, version of me
oooh.*

I'll stand tall and conquer all.

Just to wait and see.

Just to wait and see oooh.

SONG 5: *Dream to Believe*

*Dreamin' is what we do,
just work hard and it can come true.
Believe in all you do, release the inner star in you.*

*It's time to shine,
let your hair down.
You rule your world, now wear that crown!*

*The sun shines bright, the stars in you,
go and do what you wanna do!
Be a sports star, teacher or musician.
Live that dream, that's your mission!*

*It's time to shine,
let your hair down.
You rule your world, now wear that crown!*

*It's time to shine,
let your hair down.
You rule your world, now wear that crown!*

CARE & MAINTENANCE

1. Keep the unit clean by wiping it with a slightly damp cloth.
2. Keep the unit out of direct sunlight and away from any direct heat sources.
3. Remove the batteries if the unit will not be in use for an extended period of time.
4. Do not drop the unit on hard surfaces and do not expose the unit to excess moisture.

TROUBLESHOOTING

Main Unit and Microphones

If for some reason the unit stops working or malfunctions, please follow these steps:


1. Please turn the unit **OFF**.
2. Interrupt the power supply by removing the batteries.
3. Let the unit stand for a few minutes, then replace the batteries.
4. Turn the unit **ON**. The unit should now be ready to use again.
5. If the unit still does not work, install a new set of batteries.

Bluetooth® Connection

If there is a connection problem with your **Bluetooth®** device, please follow these steps:

1. On your **Bluetooth®** enabled device, go to **Bluetooth®** settings. Remove “VTech 5817 Karaoke” from the list. Then restart the **Bluetooth®** connection or restart your device.
2. Restart VTech 5817 Karaoke **Main Unit**.
3. If the problem persists, disable the PIN code function of your VTech 5817 Karaoke by following the below steps:
Press and hold the **Left** and **Right Buttons**, then press the top left **Pixel Button**. Then search for “VTech 5817 Karaoke” on your **Bluetooth®** enabled device again.

When the Microphones are not working

- Make sure the batteries are installed on the **Main Unit** and the **Microphones**.
- Press the **Power Buttons**  on the **Main Unit** and the **Microphones** to switch them on.
- If lights on the **Microphones** keep flashing after turning on, the **Microphones** may need to establish connection with the **Main Unit** again. Please try the following steps:



1. Press and hold the **Reverb +**, **Volume +** and **Vocal Remove Buttons**, then press the **Power Button** to turn the Main Unit on.
2. The **Pixel Buttons** will light up as shown. Now the Main Unit is in Microphone Pairing mode.



3. Press and hold the **Volume - Button**, then press the **Power Button**. The light on Microphone 1 will turn on.
4. Release the **Volume - Button**, then quickly press it three times within two seconds. The light on Microphone 1 will flash quickly.



5. Press the **Volume - Button** once to connect with the Main Unit. If connected successfully, the light on Microphone 1 will remain on. The colour of the 4th pixel button in the first row will change to yellow.



6. Press and hold the **Volume - Button** until you hear a “Di” sound. The light on Microphone 1 will then turn off, and the colour of the 4th pixel button in the first row will change to blue.



7. Press and hold the **Volume - Button**, then press the **Power Button**. The light on Microphone 2 will turn on.



8. Release the **Volume - Button**, then, quickly press it three times within two seconds. The light on Microphone 2 will flash quickly.



9. Press the **Volume - Button** once to connect with the Main Unit. If connected successfully, the light on Microphone 2 will remain on. The colour of the 5th pixel button in the first row will change to yellow.



10. Press and hold the **Volume - Button** until you hear a “Di” sound. The light on Microphone 2 will then turn off, and the colour of the 5th pixel button in the first row will change to blue.



11. After both Microphones are paired successfully, the Main Unit will auto power off.

DECLARATION OF CONFORMITY

Hereby, VTech Electronics Europe BV declares that the radio equipment type 5817 is in compliance with Directive 2014/53/EU. The full text of the EU Declaration of Conformity is available at the following internet address:

www.vtech.com/re-directive

Main Unit

Bluetooth®:

Frequency Band: 2402MHz – 2480MHz

Maximum RF power: 10mW (10dBm)

2.4G Wireless:

Frequency Band: 2402MHz – 2480MHz

Maximum RF power: 10mW (10dBm)

DECLARATION OF CONFORMITY

Hereby, VTech Electronics Europe Plc declares that the radio equipment type 5817 is in compliance with The Radio Equipment Regulations 2017 (2017 No.1206). The full text of the Declaration of Conformity is available at the following internet address:

www.vtech.com/re-directive

Main Unit

Bluetooth®:

Frequency Band: 2402MHz – 2480MHz

Maximum RF power: 10mW (10dBm)

2.4G Wireless:

Frequency Band: 2402MHz – 2480MHz

Maximum RF power: 10mW (10dBm)

DECLARATION OF CONFORMITY

Hereby, VTech Electronics Europe BV declares that the radio equipment type 2477 is in compliance with Directive 2014/53/EU. The full text of the EU Declaration of Conformity is available at the following internet address:

www.vtech.com/re-directive

Microphone 1

Frequency Band: 2402MHz – 2480MHz

Maximum RF power: 10mW (10dBm)

DECLARATION OF CONFORMITY

Hereby, VTech Electronics Europe Plc declares that the radio equipment type 2477 is in compliance with The Radio Equipment Regulations 2017 (2017 No.1206). The full text of the Declaration of Conformity is available at the following internet address:

www.vtech.com/re-directive

Microphone 1

Frequency Band: 2402MHz – 2480MHz

Maximum RF power: 10mW (10dBm)

DECLARATION OF CONFORMITY

Hereby, VTech Electronics Europe BV declares that the radio equipment type 2478 is in compliance with Directive 2014/53/EU. The full text of the EU Declaration of Conformity is available at the following internet address:

www.vtech.com/re-directive

Microphone 2

Frequency Band: 2402MHz – 2480MHz

Maximum RF power: 10mW (10dBm)

DECLARATION OF CONFORMITY

Hereby, VTech Electronics Europe Plc declares that the radio equipment type 2478 is in compliance with The Radio Equipment Regulations 2017 (2017 No.1206). The full text of the Declaration of Conformity is available at the following internet address:

www.vtech.com/re-directive

Microphone 2

Frequency Band: 2402MHz – 2480MHz

Maximum RF power: 10mW (10dBm)

Bluetooth® Statement

The *Bluetooth*® word mark and logos are registered trademarks owned by the *Bluetooth*® SIG, Inc. and any use of such marks by **VTech**® is under license. Other trademarks and trade names are those of their respective owners.

RF Warning Statement:

The device has been evaluated to meet general RF exposure requirement. The device can be used in portable exposure condition without restriction.

Important Additional Instructions:

Ecodesign Information	(EU) 2023/826 amending Regulation (EC) No. 1275/2008
Manufacturer's name	VTECH
Product type	Product
Model No.	5817
Power consumption in off mode (Watt)	0.2 W
Default time to switch to off mode (minutes)	15 minutes
Adaptor Information	AC/DC adaptor, Conform to the ERP norm, DC output 12V/2A

CONSUMER SERVICES

Creating and developing **VTech®** products is accompanied by a responsibility that we at **VTech®** take very seriously. We make every effort to ensure the accuracy of the information, which forms the value of our products. However, errors sometimes can occur. It is important for you to know that we stand behind our products and encourage you to call our Consumer Services Department with any problems and/or suggestions that you might have. A service representative will be happy to help you.

UK Customers:

Phone: 0330 678 0149 (from UK) or +44 330 678 0149 (outside UK)
Website: www.vtech.co.uk/support

Australian Customers:

Phone: 1800 862 155
Website: support.vtech.com.au

NZ Customers:

Phone: 0800 400 785
Website: support.vtech.com.au

PRODUCT WARRANTY/ CONSUMER GUARANTEES

UK Customers:

Read our complete warranty policy online at vtech.co.uk/warranty.

Australian Customers:

VTECH ELECTRONICS (AUSTRALIA) PTY LIMITED –
CONSUMER GUARANTEES

Under the Australian Consumer Law, a number of consumer guarantees apply to goods and services supplied by VTech Electronics (Australia) Pty Limited. Please refer to vtech.com.au/consumerguarantees for further information.

**Visit our website for more
information about our products,
downloads, resources and more.**

www.vtech.co.uk
www.vtech.com.au

